

Axial Camera

Robust camera head with triple clusters of three high powered ultra-bright LED lights for optimum illumination and a scratch resistant sapphire glass to protect the lens.



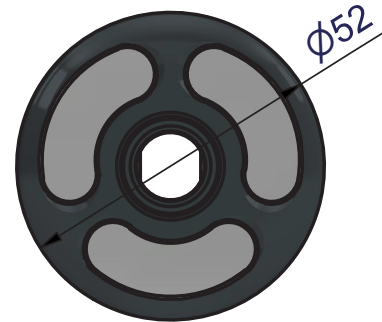
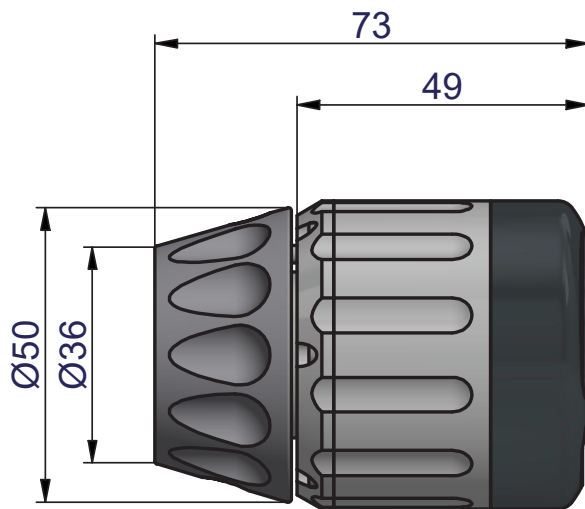
Compatibility



Technical Data

Effective Pixels	512 x 582
Camera Sensor	470 HTVL
Sensitivity	<1.0 Lux
Aperture/Field of View	F2.5/75°
Illumination Intensity	12.5k Lux at 150mm
Pressure Depth Rating	1 bar (14.50psi)
Dimensions	73 x 52 x 52mm
Weight	251g

Axial Camera



Front View



Side View



Rear View

